

## WJK // with spring-loaded immersion tube // -30...200 °C



**WJK**  
Angled plug M12 round



**WJK**  
Head form J

### Your advantages

Type	WJK
	<ul style="list-style-type: none"> <li>• Specially developed for the measurement of gear bearing temperatures</li> <li>• Spring-loaded immersion tube offers very good thermal coupling → Accurate recording of process parameters</li> <li>• Sealing between immersion tube and screw fitting → Suitable for use in oil-flushed housings</li> <li>• Safe and compact electrical connection via M12 right-angle plug</li> <li>• Very high vibration resistance → Reliable and long-lasting operation</li> </ul>

### Technical data

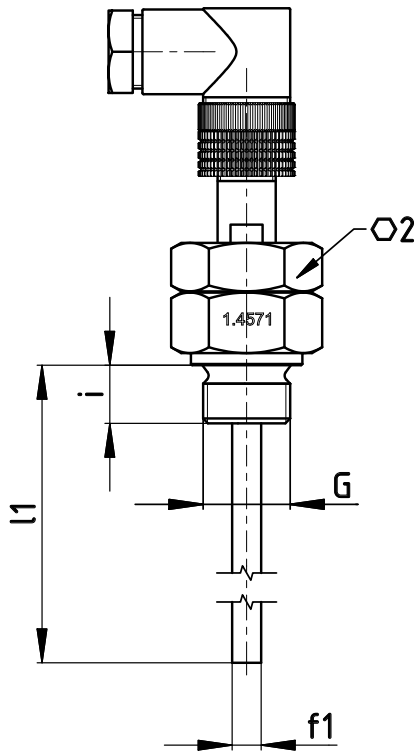
<b>Type</b>	Temperature sensor with spring-loaded immersion tube
<b>Measuring range</b>	-30...200 °C
<b>Measuring medium</b>	Water and aqueous liquids, non-aggressive gases
<b>Immersion tube length</b>	55...175 mm (10 mm spring travel)
<b>Immersion tube diameter</b>	6 mm
<b>Process connection</b>	G½ or M18 x 1.5
<b>Nominal pressure</b>	PN 2.5
<b>Medium temperature</b>	-30...200 °C
<b>Ambient temperature</b>	-40...85 °C
<b>Storage temperature</b>	-25...70 °C
<b>Degree of protection according to EN 60529</b>	IP65

### Electrical data

<b>Measuring element</b>	1 x Pt100 / 2-wire 2 x Pt100 / 2-wire 1 x Pt100 / 3-wire 1 x Pt100 / 4-wire
<b>Measuring insert</b>	Not interchangeable
<b>Accuracy</b>	Class A / $\pm(0.15 \text{ K} + 0.002 \times t)$ Class B / $\pm(0.30 \text{ K} + 0.005 \times t)$
<b>Electrical connection</b>	Angled plug M12 x 1 with knurl, 4-pole Terminal head J

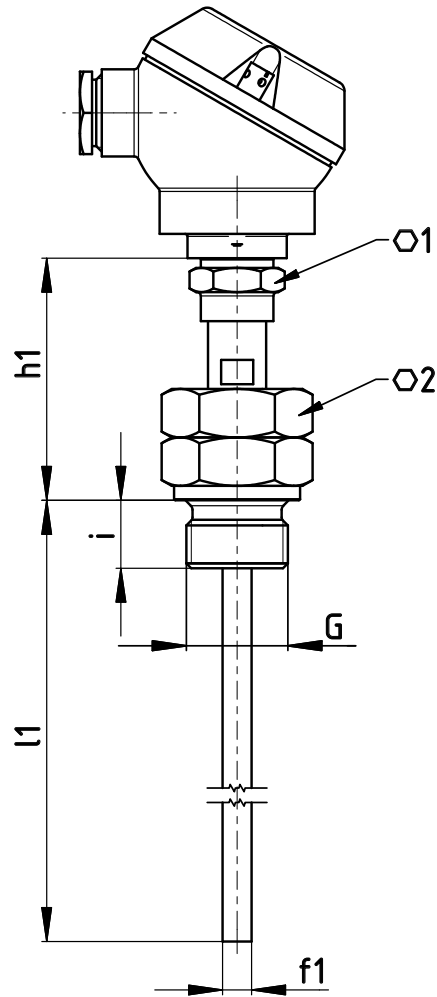
**WJK**

Angled plug M12 round



**WJK**

Head form J



**Dimensions [mm]**

Type	l1	h1	Ø1	Ø2	G	i	f1
WJK angled plug M12 round	55...65, 95...105, 135...145 or 165...175	—	—	27	G½ or M18 x 1.5	12	Ø6
WJK head form J	55...65, 95...105, 135...145 or 165...175	50 or 77	17	27	G½ or M18 x 1.5	14	Ø6

**Materials**

**Not in contact with media**

**Connection head**

Die-cast aluminium, silver painted  
Plastic PA66 (Max. 125 °C)

**In contact with media**

**Process connection**

Stainless steel 1.4571

**Protection tube**

Stainless steel 1.4571

Order code								
<b>Type</b>								
Resistance thermometer	W							
<b>Diameter</b>								
6 mm	06							
<b>Material</b>								
Stainless steel 1.4571		3						
<b>Sensor element</b>								
1 x Pt100 2-wire / Class B				P21				
2 x Pt100 2-wire / Class B				P22				
1 x Pt100 3-wire / Class B				P31				
1 x Pt100 4-wire / Class B				P41				
Resistance thermometer / Class A				AXX				
<b>Immersion tube length l1</b>								
55...65 mm					065			
95...105 mm					105			
135...145 mm					145			
165...175 mm					175			
<b>Measuring insert</b>								
Not interchangeable						0		
<b>Electrical connection</b>								
Angled plug M12 round							30	
Head form J							J0	
<b>Process connection G</b>								
G½								2JK
M18 x 1.5								6JK
<b>Example order number</b>	<b>W</b>	<b>06</b>	<b>3</b>	<b>P21</b>	<b>065</b>	<b>0</b>	<b>30</b>	<b>2JK</b>

