

## W08 // with angled plug M12 // -30...200 °C



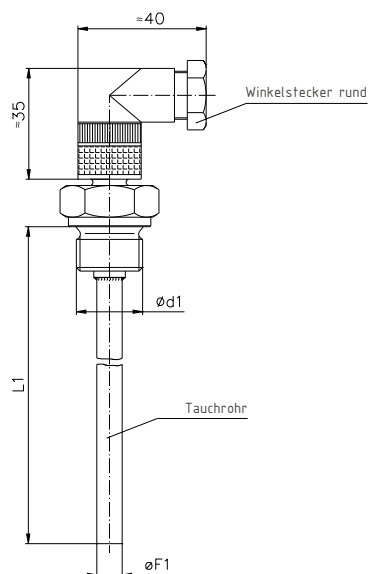
### Your advantages

Type	W08
	<ul style="list-style-type: none"> <li>• Safe and compact electrical connection via M12 right-angle plug</li> <li>• High protection class against moisture, dust and dirt ingress</li> <li>• Very high vibration resistance → Reliable and long-lasting operation</li> <li>• Customer-specific variant possible → Simple integration into plants / systems</li> </ul>

Technical data	
<b>Type</b>	Temperature sensor with angled plug M12
<b>Measuring range</b>	-30...200 °C
<b>Measuring medium</b>	Water and aqueous liquids, non-aggressive gases
<b>Immersion tube length</b>	50...200 mm
<b>Immersion tube diameter</b>	6 or 8 mm
<b>Process connection</b>	G $\frac{1}{4}$ , G $\frac{1}{2}$ , M14 x 1.5 or M18 x 1.5
<b>Nominal pressure</b>	PN 25
<b>Medium temperature</b>	-30...200 °C
<b>Ambient temperature</b>	-40...85 °C
<b>Storage temperature</b>	-25...70 °C
<b>Degree of protection according to EN 60529</b>	IP65

Electrical data	
<b>Measuring element</b>	1 x Pt100 / 2-wire 2 x Pt100 / 2-wire 1 x Pt100 / 3-wire 1 x Pt100 / 4-wire
<b>Measuring insert</b>	Interchangeable
<b>Accuracy</b>	Class A / $\pm(0.15 \text{ K} + 0.002 \times  t )$ Class B / $\pm(0.30 \text{ K} + 0.005 \times  t )$
<b>Electrical connection</b>	Angled plug M12 x 1 with knurl, 4-pole Terminal head J

## W08

**Materials****Not in contact with media****Connection head**

Plastic PP or die-cast aluminium, silver painted

**In contact with media****Process connection**

Stainless steel 1.4571

**Protection tube**

Stainless steel 1.4571

Order code									
<b>Type</b>									
Resistance thermometer	W								
<b>Diameter F1</b>									
6 mm	06								
8 mm	08								
<b>Material</b>									
Stainless steel 1.4571		3							
<b>Sensor element</b>									
1 x Pt100 2-wire / Class B				P21					
2 x Pt100 2-wire / Class B				P22					
1 x Pt100 3-wire / Class B				P31					
1 x Pt100 4-wire / Class B				P41					
Resistance thermometer / Class A				AXX					
<b>Immersion tube length L1</b>									
50 mm					050				
100 mm					100				
150 mm					150				
200 mm					200				
<b>Measuring insert</b>									
Not interchangeable						0			
Interchangeable (only for 8 mm diameter)						2			
<b>Electrical connection</b>									
Angled plug M12 round							30		
Head form J							J0		
<b>Process connection d1</b>									
M14 x 1.5								G	
M10 x 1.0								P	
G <sup>1</sup> / <sub>4</sub>								L	
G <sup>1</sup> / <sub>2</sub>								2	
<b>Example order number</b>		W	06	3	P21	050	0	30	G

